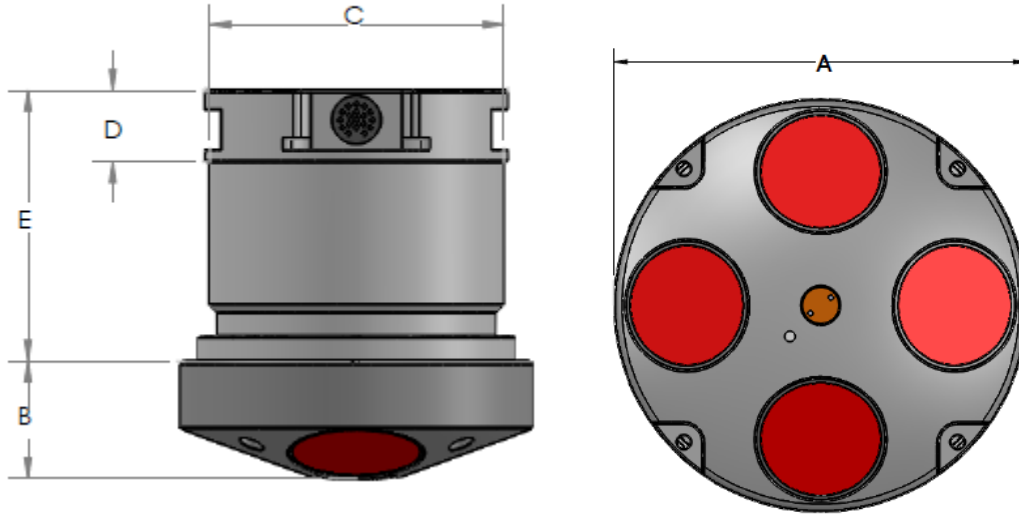




DESCRIPTION: OUTLINE DRAWING OF 2 INCH TRANSDUCERS 4 BEAM SYSTEM.



Sideview and Top view of the 2 inch transducer 4 beam system.

2 INCH 4 BEAM DIRECT READ SYSTEM

| PRESSURE RATING | HEAD | | HOUSING | | |
|-----------------|---------------|---------------|---------------|-------------|----------------------|
| | DIAMETER (A) | THICKNESS (B) | DIAMETER (C) | HEIGHT (E) | ENDCAP THICKNESS (D) |
| 300 m | 7.90"/200.7mm | 2.35"/59.7mm | 7.90"/200.7mm | 5.00"/127mm | |
| 3000 m | | | | | |
| 6000 m | | | | | |

Note: This system does not external battery pack options

This document contains proprietary information of Rowe Technologies Inc. and shall not be used, reproduced, or disclosed to any other parties for any other purpose without the expressed written permission of Rowe Technologies Inc.